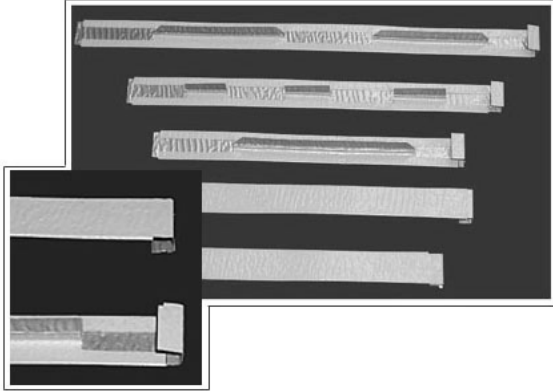


## 140 SERIES JOINT COVERS



140 Series Joint Covers are intended for use with hardboard and cement siding. The Joint Covers protect the butt joint where two siding planks meet and provide an expansion joint to help prevent siding buckling. A wraparound lower lip hooks the siding and requires one nail to hold it in place. 0.015" aluminum covers are primed on the outside for easy painting and coated on the inside with an epoxy backer to inhibit corrosion. They are manufactured with either a smooth or wood grained texture and are available in lengths and return lip widths to fit all major brands of hardboard and cement fiber siding, including most profiled 12" and 16" shapes. Face width is 13/16".

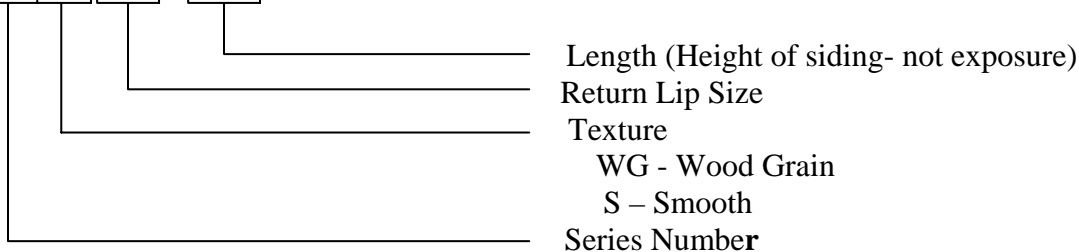
**Packaging – 100/CTN.**

Length	Return Lip							Ship Weight
	3/16" (Fits Surelock)	1/4" (Fits 7/16" S/A)	5/16"	3/8" (Fits 1/2" S/A)	7/16"	1/2"	1/2" Mas. S/A	
5-1/4"	X	X	•	X	X	X	X	1.45 lbs
5-1/2"	X	X	X	X	X	•	X	1.5 lbs
6"	•	X	X	•	•	•	X	1.75 lbs
6-1/4"	X	X	•	X	X	X	X	1.75 lbs
7-1/4"	X	X	•	X	X	X	X	1.90 lbs
8"	•	X	•	•	•	•	X	2.25 lbs
9-1/4"	X	X	•	X	X	X	X	2.75 lbs
9-1/2"	X	X	•	X	•	X	X	2.85 lbs
10-1/2"	X	X	X	X	X	X	X	3.0 lbs
12"	X	X	•	•	•	•	X	3.5 lbs

• – Stock, X – Available on special order

### PART NUMBERING GUIDE

140WG,5/16,x 9-1/4



---

---

## INSTALLATION INSTRUCTION

---

---

### FOR I 40 SERIES JOINT COVERS

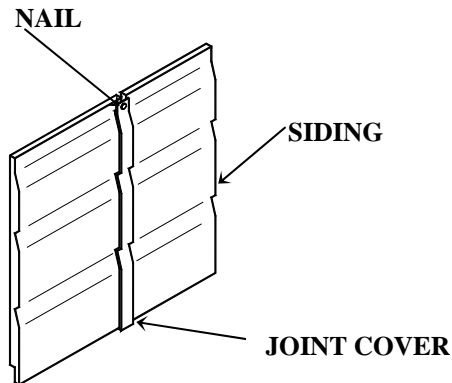


Figure 1

1. Minimum one nail within 1/2" of the top of the joint cover, centered between the siding courses so as not to penetrate either siding. See Figure 1.

2. This nail is usually placed so as to be covered by the course above. Nail should have minimum 1/8" head, and be of sufficient length to penetrate the stud by at least 1/2". See Figure 2.

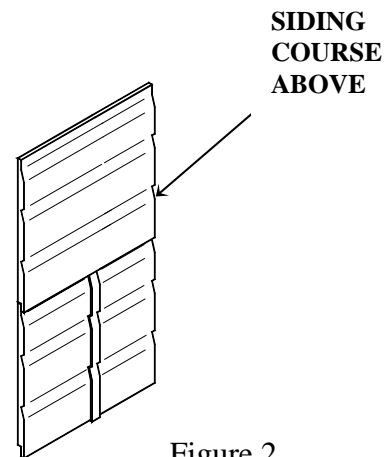


Figure 2

OPTIONAL  
NAILS

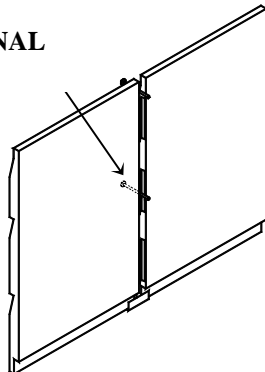


Figure 3

3. Optionally, additional nails may be added in the mid to lower portion of the cover. Nail size and placement should be as per above. See Figure 3.

**IMPORTANT:** It is important to place the nails such that they penetrate the center line of the joint cover, between courses of siding below. Do not nail into the siding being joined. The joint cover must float relative to both courses of siding being joined. Failure to follow this instruction may result in early failure of the installation.