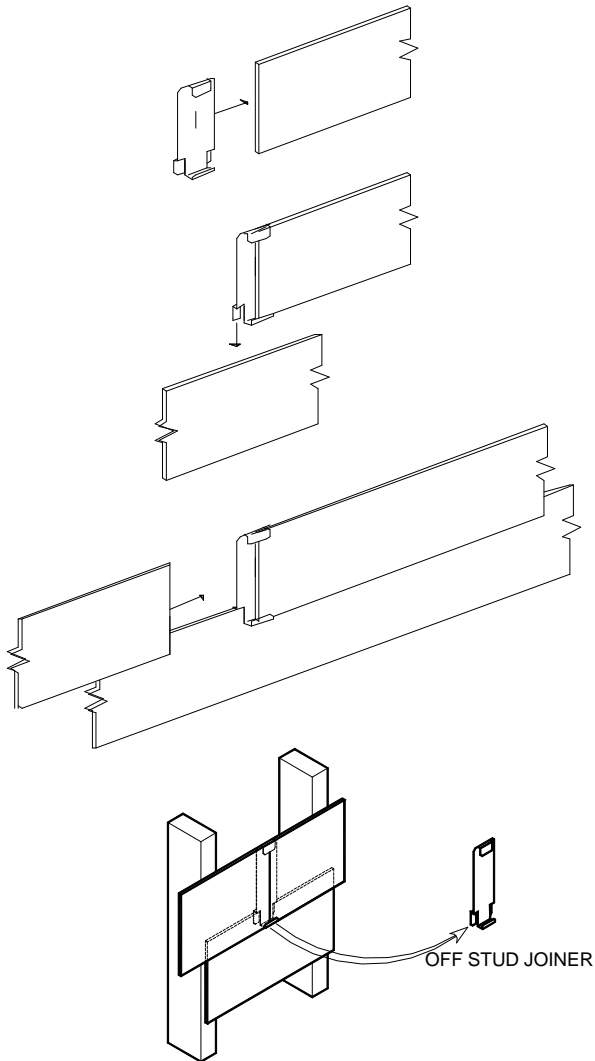


INSTALLATION INSTRUCTION FOR OFF STUD JOINERS

For Easier Installation of Fiber Cement Siding



The vertical joints of the planks shall occur at the framing members or between the framing members when an off stud joiner is placed on the plank end. The off stud joiner is positioned so that the bottom lip is resting on the adjacent solid course of planks. The plank is then fastened to the framing. The abutting plank is positioned and fastened into place insuring that the lower edges of the two planks align. The off stud joiner is located centrally over the joint. Restrictions on the off stud joiner locations are follows:

- a) All splices shall be located a minimum of two stud cavities from wall corner.
- b) Successive splices within the same plank course shall be located no closer than 48" from one another.
- c) All splices shall be staggered at minimum 2-foot intervals when located in the same wall cavity.
- d) Splices shall be at least one stud cavity away from door openings.

MATERIAL NOTIFICATION FOR OFF STUD JOINERS

These parts ARE galvanized for Rust Protection. We use G-90 (the heaviest zinc coating available to us) galvanized steel, which is then primed for paint adhesion. Despite these two coatings, these parts are designed to be painted after application. Premature rusting can occur if additional protection is not applied. Simplicity Tool Corporation recommends appropriate caution when applying this part to pre-painted siding.